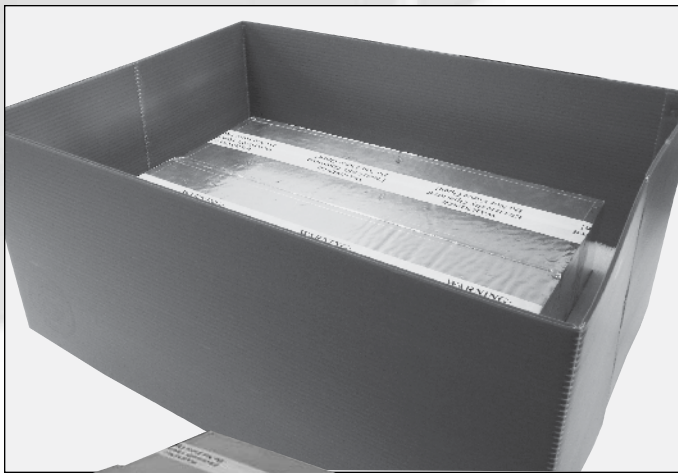


# R-Gardian<sup>TM</sup> Patent Pending

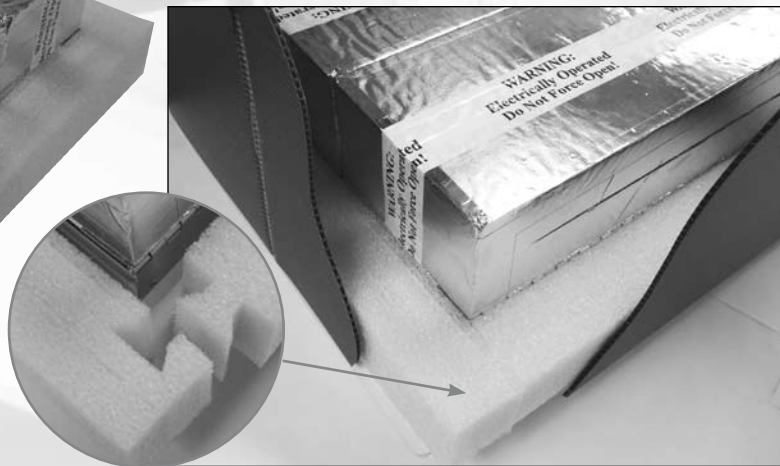
## Insulating Collar System for the HV Whole House Coolers

The *R-Gardian* (patent pending) is a unique energy saving system designed to protect your attic insulation when you are using an HV Whole House Cooler. The interlocking pieces of the insulation collar fit snugly around the upper housing of the HV providing another layer of insulation. The collapsible dam fits around the outside of the collar allowing the air from the HV to flow freely into the attic without disturbing the insulation.

The *R-Gardian* (patent pending) can also be used as a guide for the placement of the HV to ensure there is enough clearance for the doors to operate without interference.



- Energy Saving
- Protects Attic Insulation
- Easy to Install



*“Ventilation for Life”*



TM

Tamarack Technologies, Inc.

# R-Gardian

## SPECIFICATIONS

### HV Insulating Collar

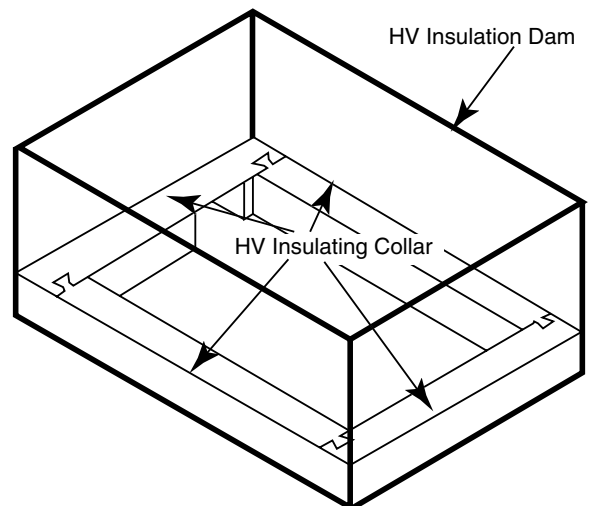
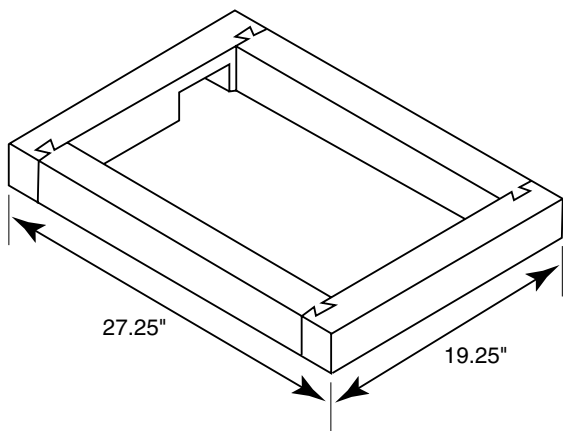
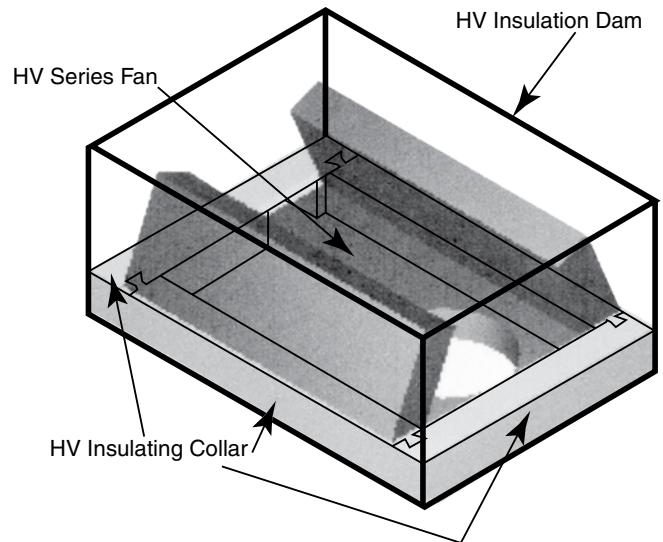
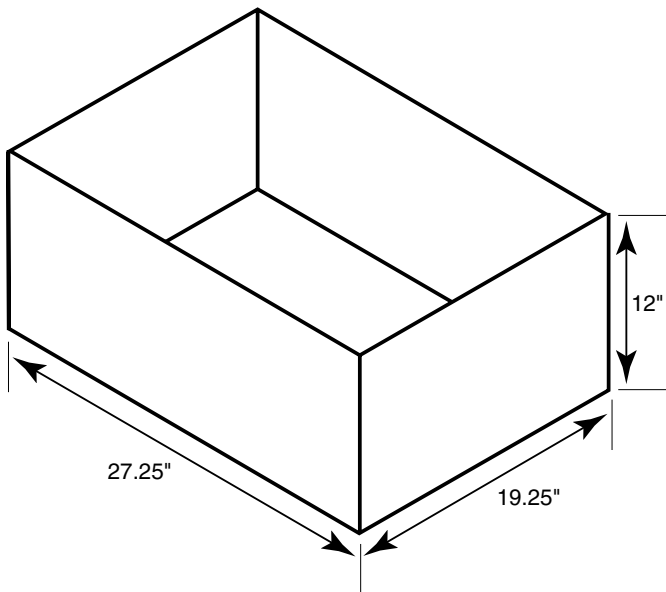
Assembled Exterior Perimeter Dimensions ..... 19-1/4" x 27-1/4"

Assembled Interior Perimeter Dimensions ..... 14-1/8" x 22-1/4"

### HV Insulation Dam

Unfolded Interior Perimeter Dimensions ..... 19-1/4" x 27-1/4"

Height ..... 12"



P/N HVRG.1



### Tamarack Technologies, Inc.

320 Main Street • P.O. Box 963  
 Buzzards Bay, Massachusetts 02532  
 Telephone: 508-759-4660 / 800-222-5932  
 Fax: 508-759-6001  
 Email: sales@tamtech.com • www.tamtech.com

*Distributed by:*